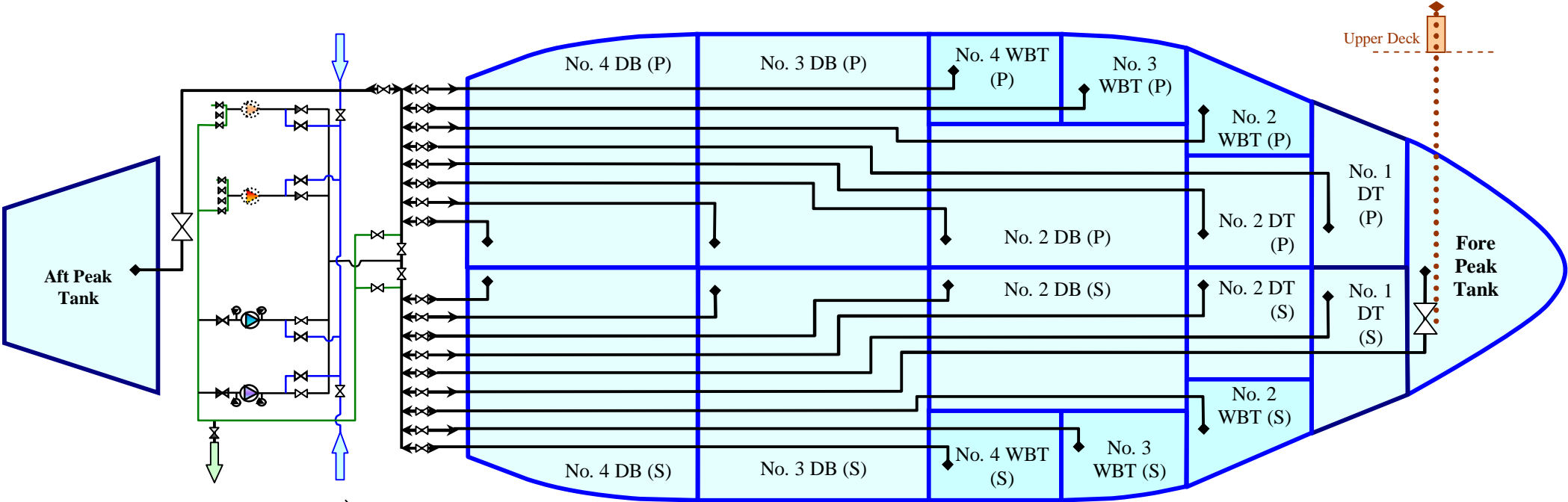


# Italian Class Vessels

## Water Ballast Line Diagram



Upper Deck

Fore Peak Tank

Aft Peak Tank

See Drawing for  
**Ballast Lines  
in Engine Room**

by Capt. P. Kohli